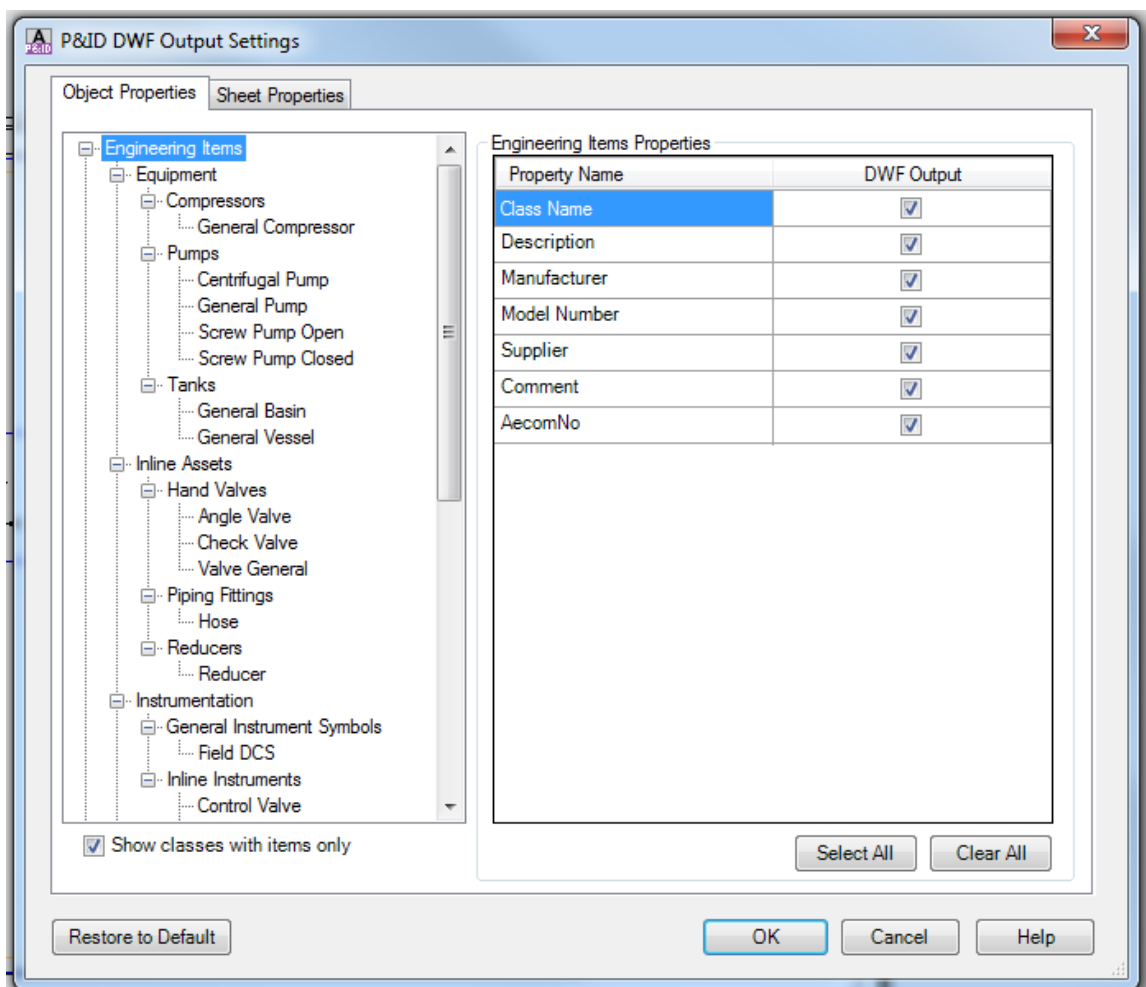


Publish P&ID Information in DWF

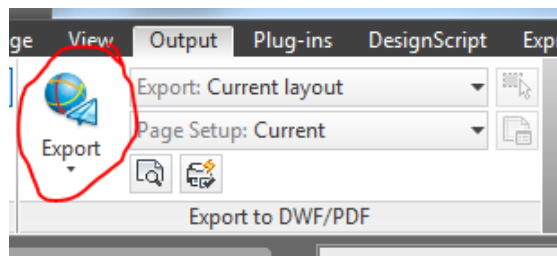
Autodesk Plant 3D and P&ID, all versions.

One of the features of Autodesk Plant 3D and PID is the ability to send the P&ID information from the database through into a printed DWF. This comes into its own in a review and mark up situation especially for people mobile in plants. For example a tablet loaded with a set of DWF's of a plant are easily carried around and used to check site situations against drawing records. Any information the drawing has can be accessed in the DWF, and any mark ups can be made and returned to the drawing office later for incorporation.

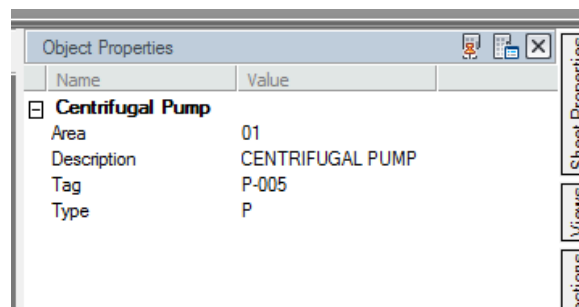
The information that is transferred is setup using the DWFOUTPUTSETTINGS command, and by default all information is included. Anything not required can be deselected from the class definition for that item...



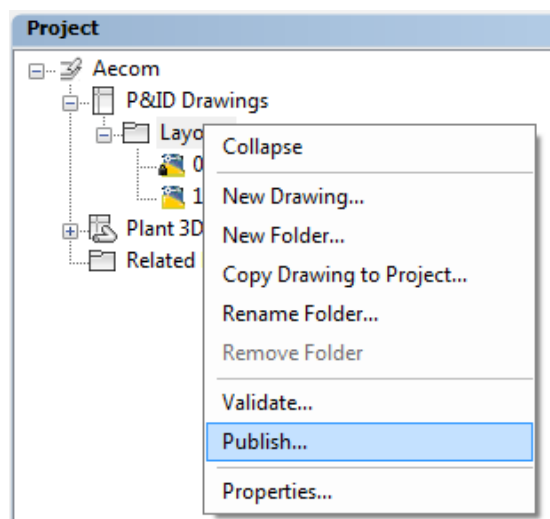
When the DWF is printed using the DWF command...



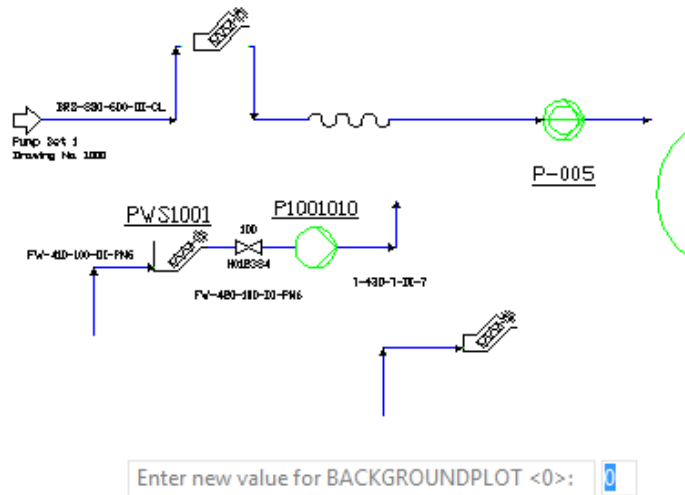
The information appears in the Design Review 'Object Properties' panel...



There is also the PUBLISH command if you want to be able to print many drawings at once, by right clicking the Project Manager...



However be sure to set **BACKGROUNDPLOT** to **0** to get the P&ID information through the publish routine into the DWF files.



There is a setting to check is on as well. At the PUBLISH command use the **PUBLISH OPTIONS** to ensure that **P&ID INFORMATION** is **INCLUDED**.

