

Aligning an Ortho View of a Skewed Model

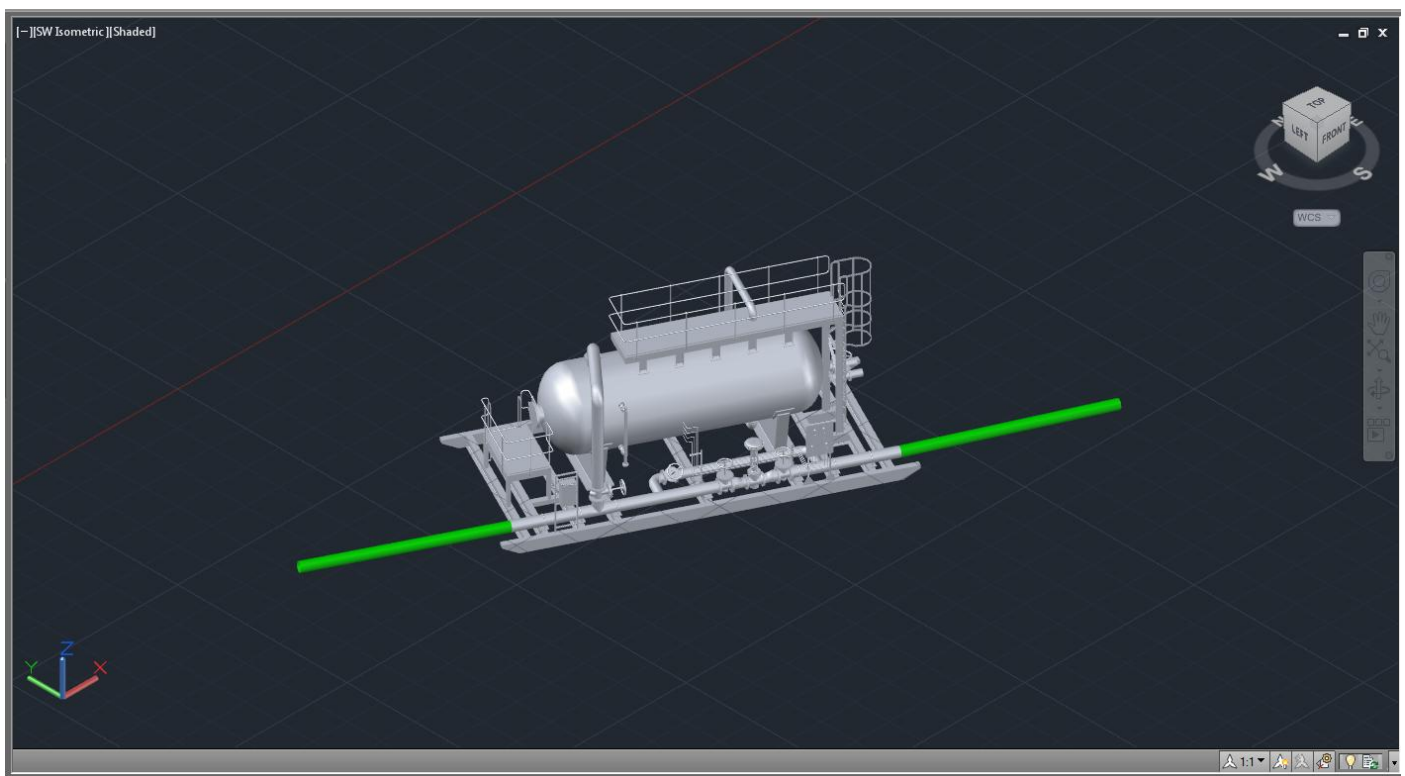
AutoCAD Plant 3D 2014

One of the major new features in AutoCAD Plant 3D 2014 is the ability to create an Orthographic View of a model using a custom view. Previously, Ortho generation was restricted to using one of the standard Top, Bottom, Left, Right, Front or Back views of the model relative to the World co-ordinate system (WCS).

This White Paper describes a method of creating an Orthogonal View of a model that is skewed relative to WCS.

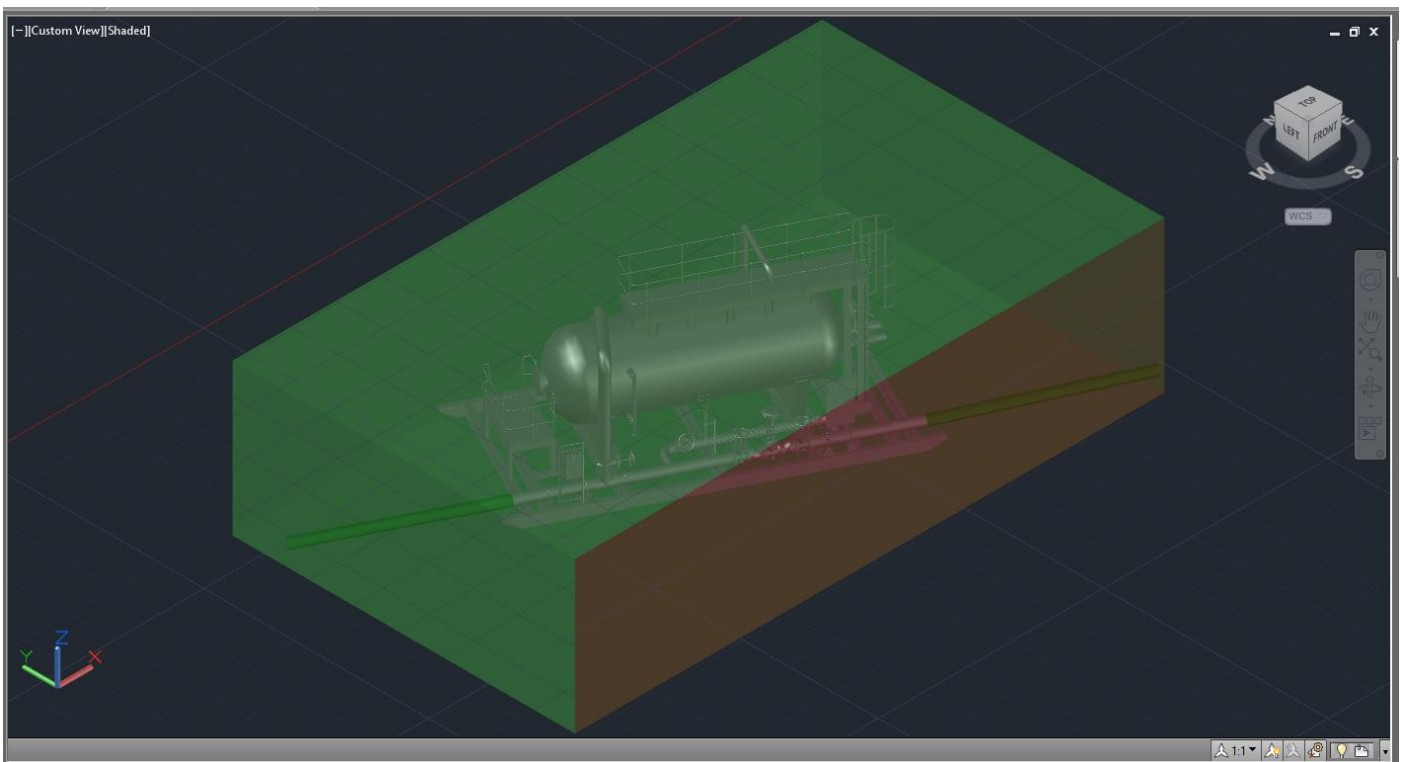
Skewed Model

The screenshot below shows a model of a skid unit that has been inserted into a Plant 3D model and skewed relative to the WCS.



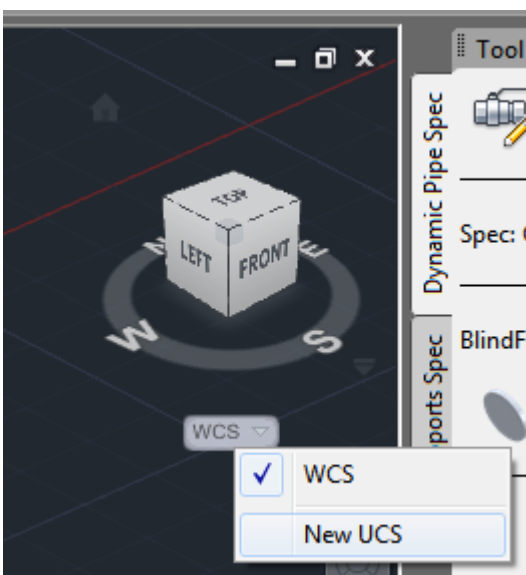
Create Ortho View

During orthographic view creation, the model is loaded into the Orthographic View Selection window as follows:

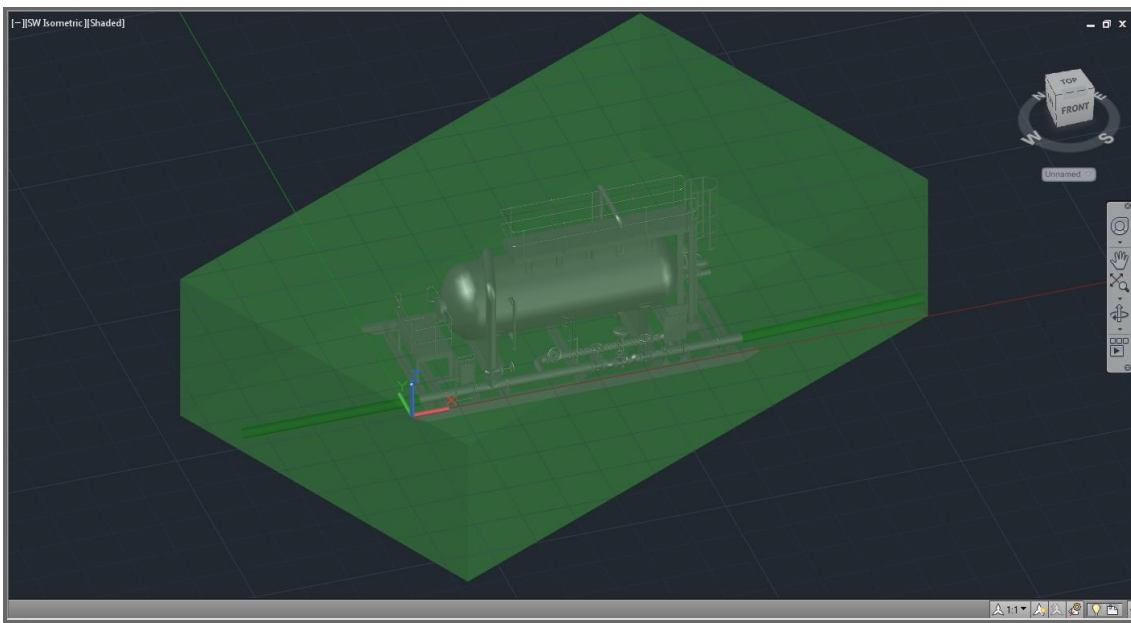


Define New UCS

To create an Orthogonal view of the model, a new UCS is created that is aligned to the model. Choosing the New UCS option



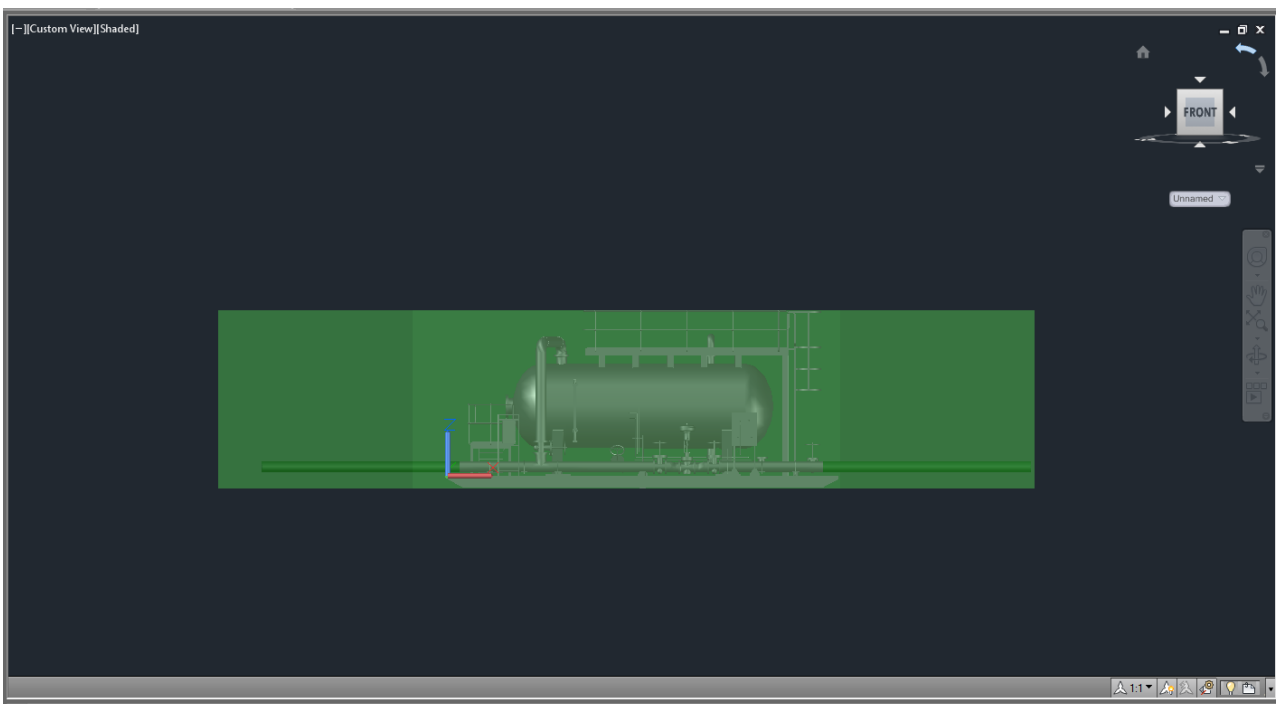
from the dropdown menu below the ViewCube enables a new UCS to be defined.



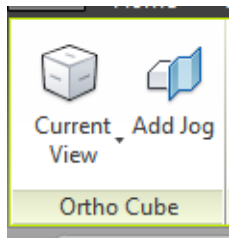
From the image above, it can be seen that the UCS has been aligned with the skid unit.

Align the View

Clicking the Front panel of the ViewCube realigns the current view to provide a Front elevation of the skid unit.



With Current View selected on the Ortho View panel of the Ortho Editor ribbon,



the Front elevation of the skid unit is created as a view in the Ortho drawing.

