

Revit Architecture 2014 – Wall Junction Clean-Up

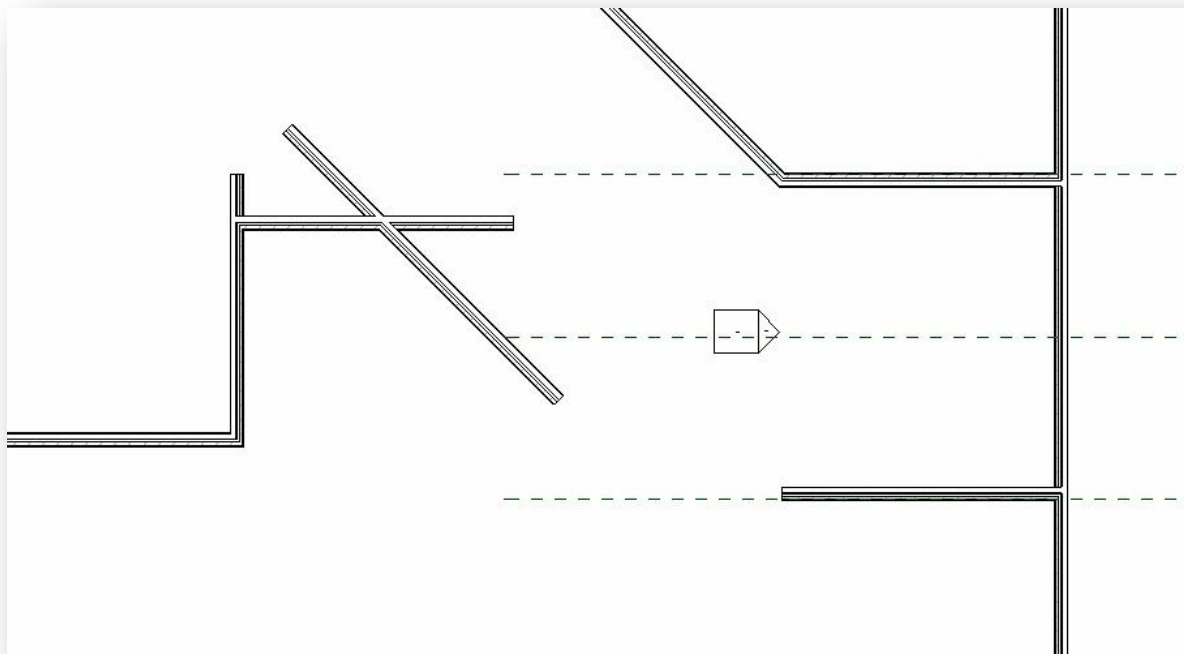
Wall Clean-Up using the Trim Extend to Corner Tool (Ref: January 2014)

Introduction

There are several tools in Revit Architecture to assist with wall clean-up, particularly where walls overlap or do not meet. Both of these situations can be addressed in Revit Architecture with the Trim/Extend to Corner tool on the Ribbon's Modify Panel

In figure 1 below some angled corridor walls need to be cleaned up where they intersect. Also two walls need to be filleted. The objective of this White Paper is to illustrate how quickly we can clean up the wall junctions with the Trim Extend to Corner command (fig 2).

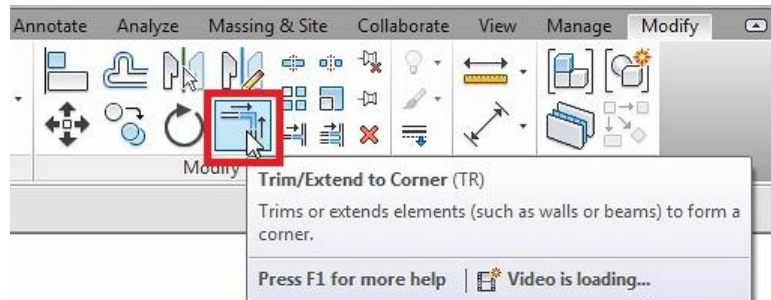
Fig 1: Angled Corridor Walls before Wall Clean-Up



The Trim Extend to Corner tool will enable us to clean-up the four overlapping walls and to extend and fillet the two walls that do not meet.



Fig 2: Trim Extend to Corner Command (Type TR)



Procedure

Click the Modify Tab on the Ribbon and select the Trim/Extend tool or type the keyboard shortcut TR. Note that if you hover over this tool prior to selection the roll-over tool-tip will tell you its exact function (see fig 2 above).

The overlapping walls will clean-up when we select the parts of the wall that we want to keep (shown in blue in fig 3 below).

Fig 3: Select Parts of Wall to Keep

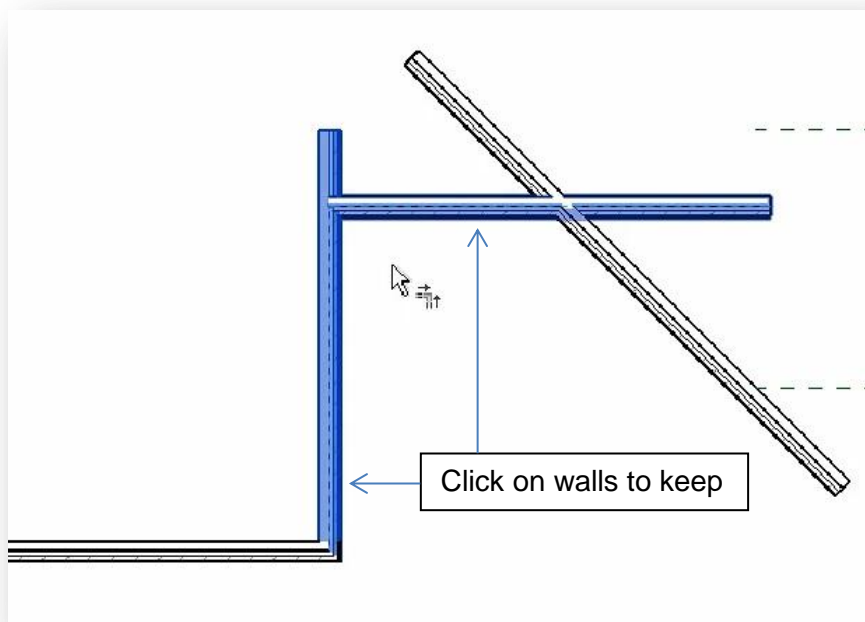
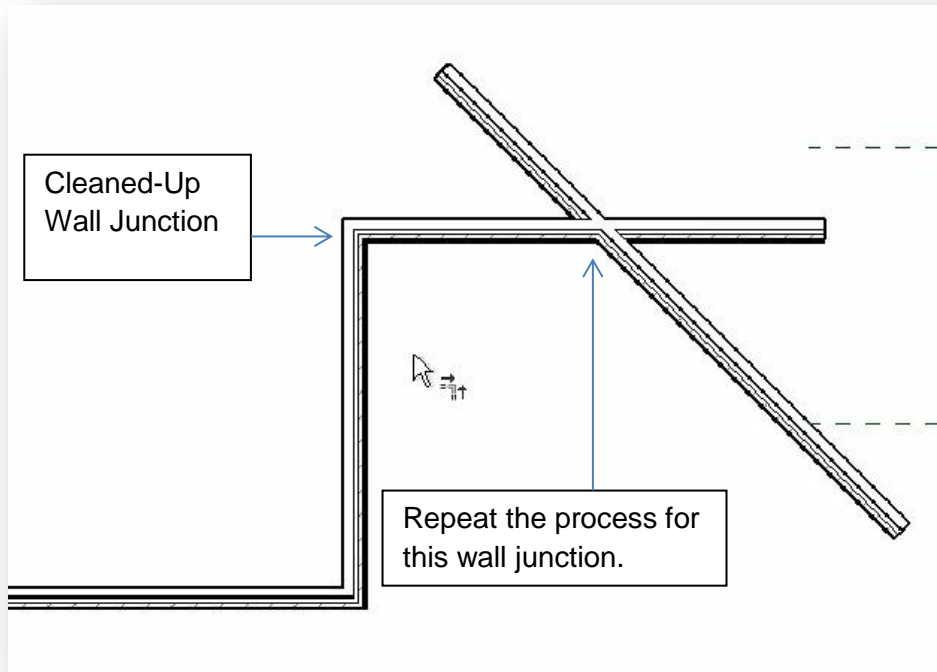


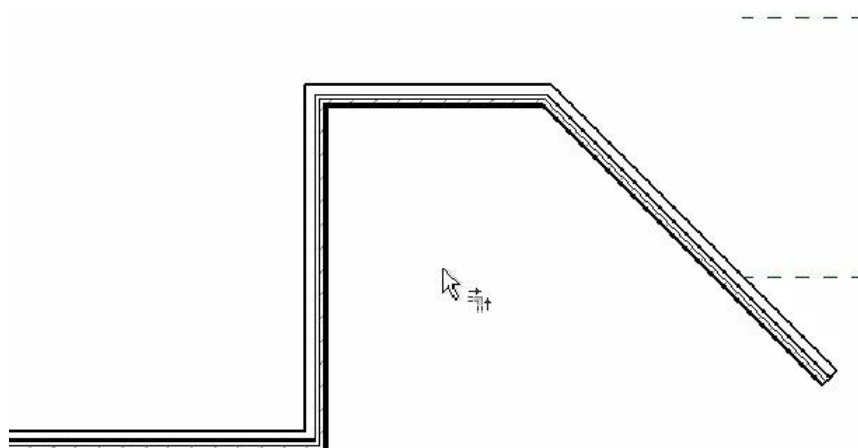
Figure 4 below shows the result.

Fig 4: Cleaned-Up Wall Junction 1



When we repeat this process on the horizontal and angled wall, the junction will look like fig 5.

Fig 5: Cleaned-Up Wall Junction 2



We can now turn our attention to the last wall junction. The wall shown in solid blue in fig 6 below has been selected. If we hover our cursor over the bottom wall on the right, a green dashed line will indicate where the walls will be filleted. Click to select this wall to complete our wall clean-up exercise (fig 7).

Fig 6: Extend/Fillet Walls

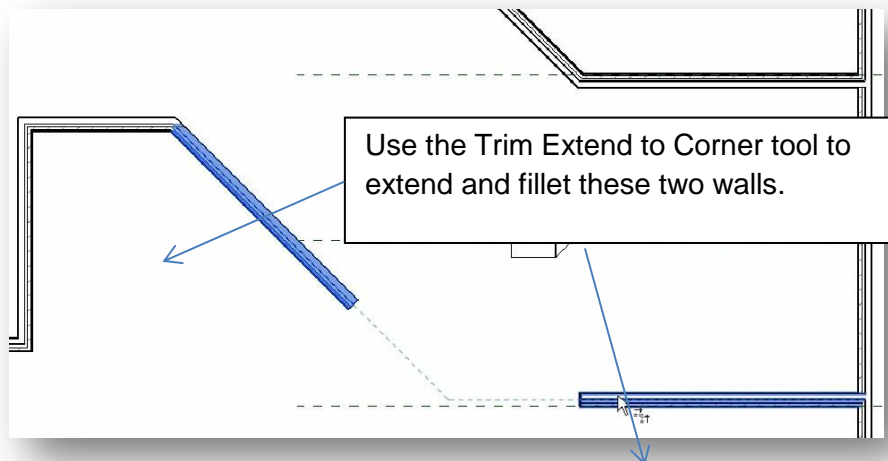
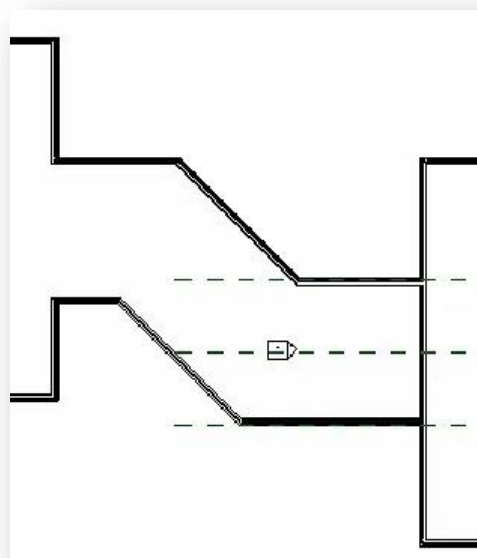


Fig 7: Corridor Walls Complete



Two other tools from the modify tab worth experimenting with when trimming and extending walls are the Trim/Extend Single Element and the Trim Extend Multiple Element tools (figs 8 & 9 below). Hover over each of the tool icons in turn to view the animated tooltips showing worked examples of how to use these tools.

Fig 8: Trim Extend Single Element

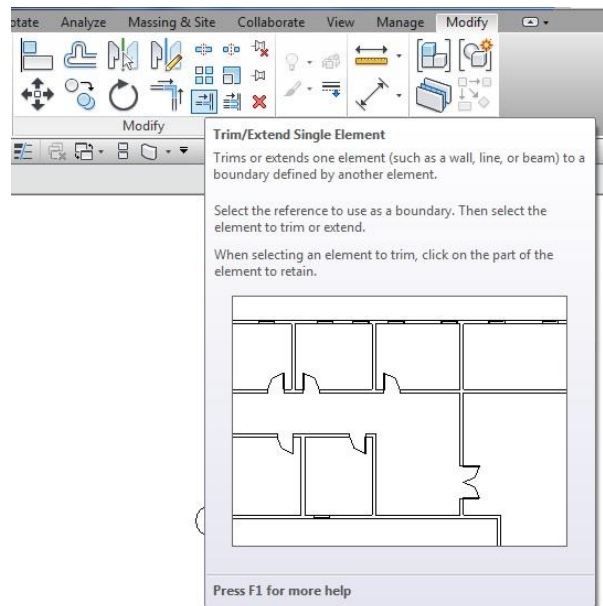
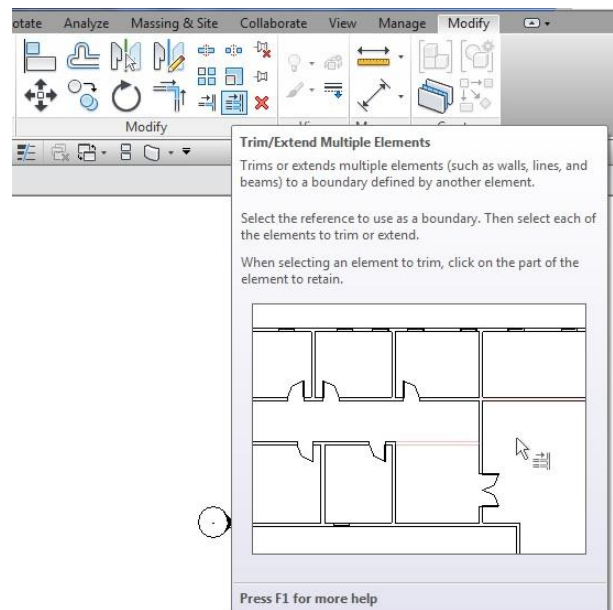


Fig 9: Trim Extend Multiple Elements



Conclusion

The trio of Trim/Extend tools are very versatile. Use them often for accurate partition layouts in floor plans and to clean-up wall junctions quickly.

For more Blogs, White Papers and FAQs, visit the **Cadline Community**: www.cadlinecommunity.co.uk (it's free).

Date: January 2014

