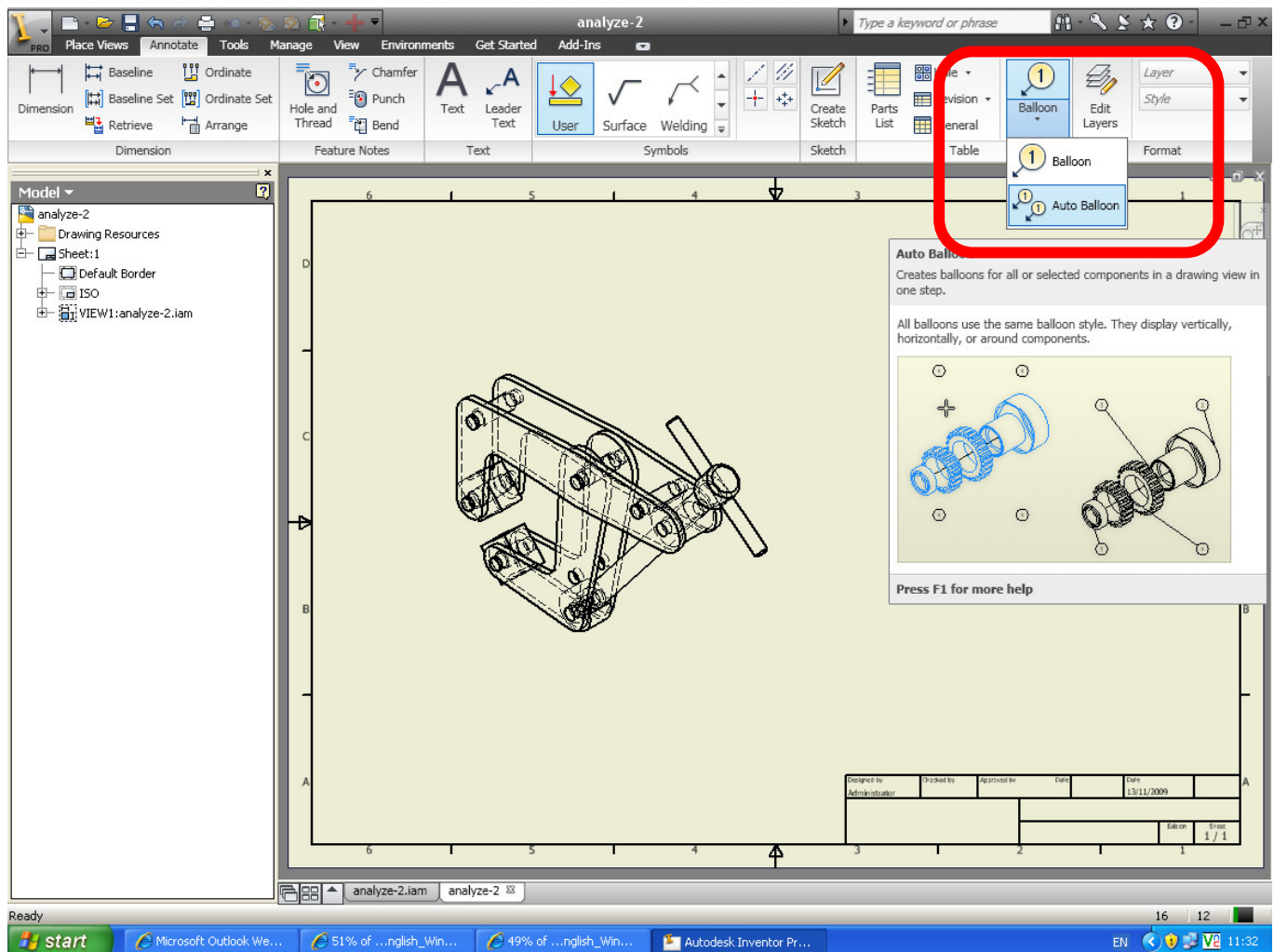


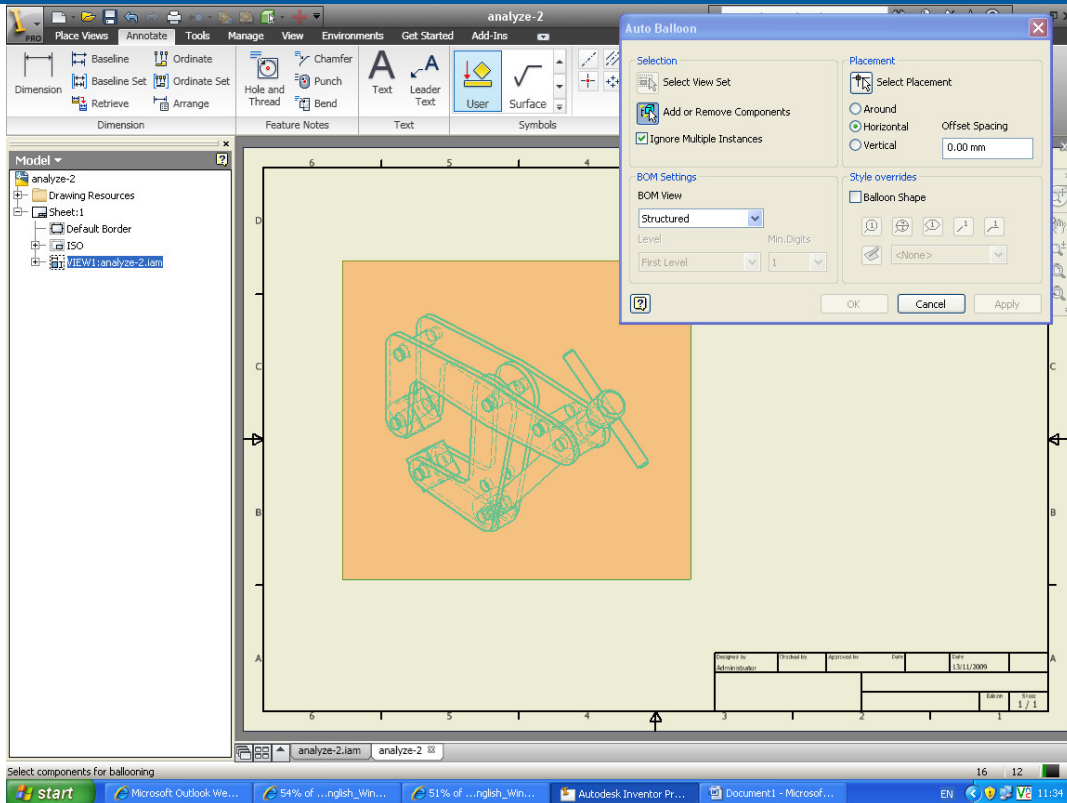
Auto Balloon in Autodesk Inventor 2010/2011

This White Paper will guide you through the steps required to use the Auto-Balloon feature within Autodesk Inventor

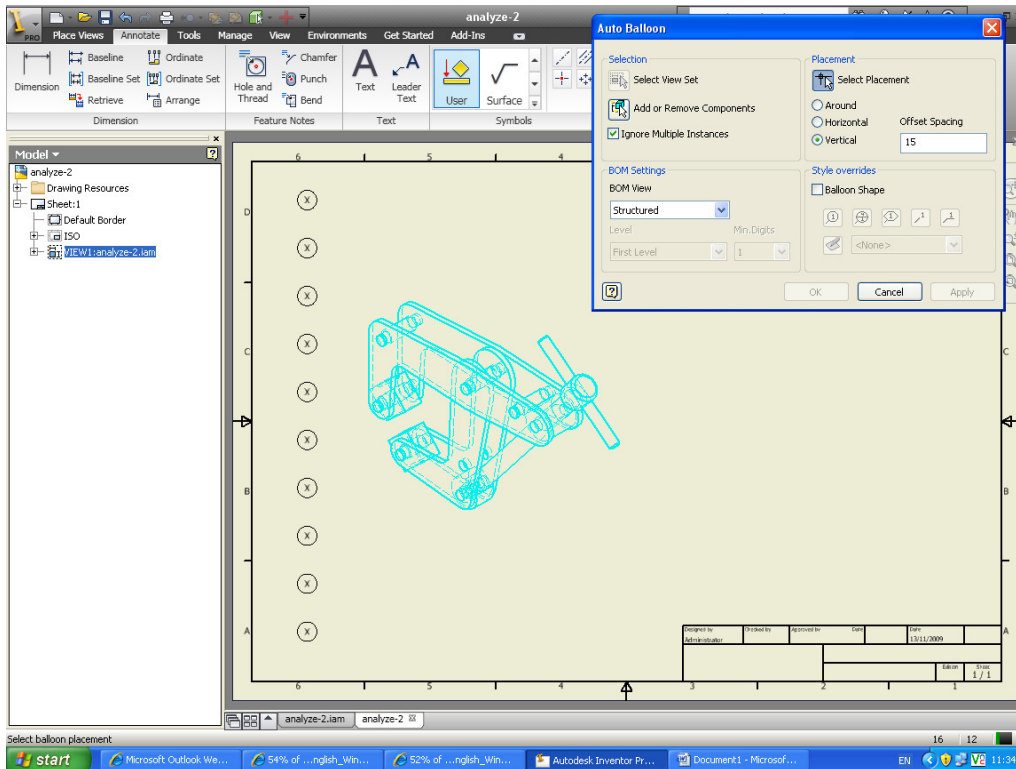
New users of Autodesk Inventor



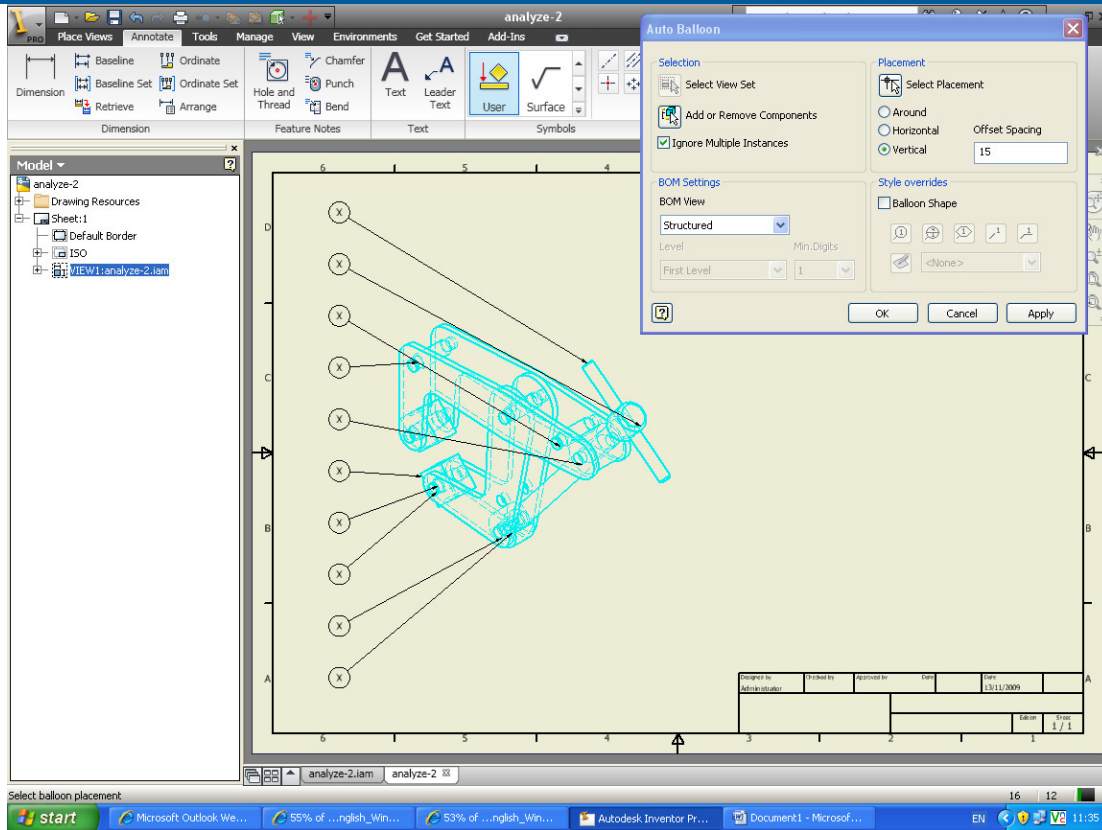
Inside of the Inventor drawing environment, on the **Annotate panel** click on the **Balloon drop down**, then click on **Auto Balloon**.



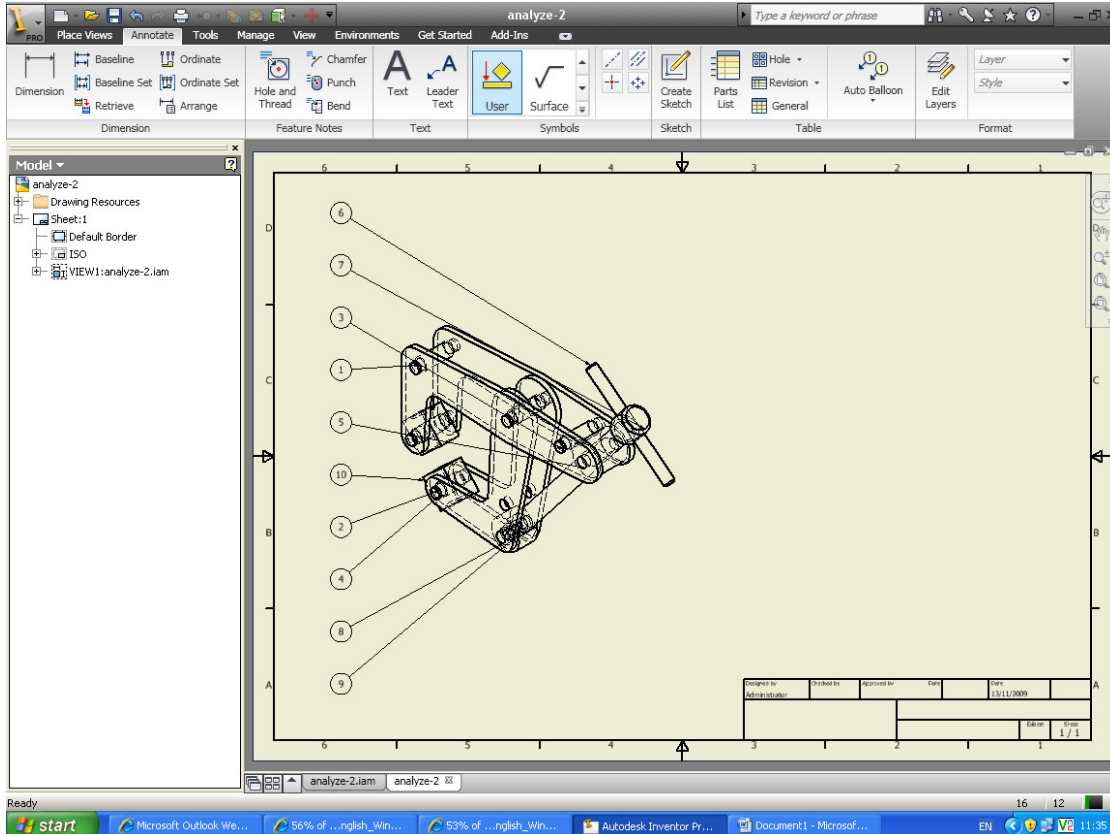
Select the components for Ballooning (in this example I have dragged a box over all of the components in the view)



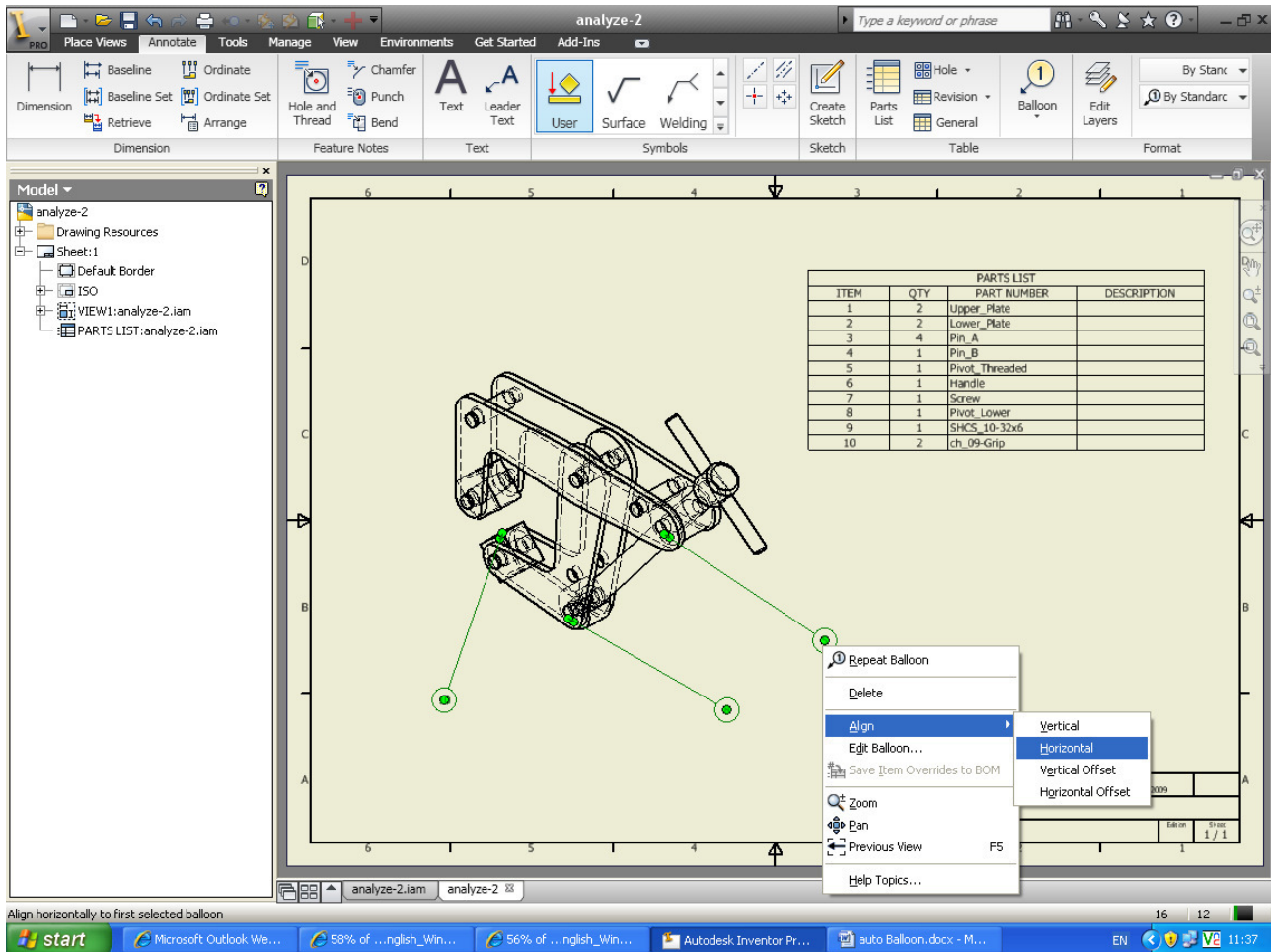
Click on **Select Placement** and choose a placement method of either Around, Horizontal or Vertical. Balloons will follow your cursor, a left click will place them



Click **OK**



Your Balloons are now placed



If you move your balloons around, and need to re-align them, select all of the balloons that you wish to align, and then right click on them and click align, then choose either Horizontal or Vertical.

Note that if you have placed a parts list on the drawing, the balloons that you have placed will match the table, i.e. the balloon number will be identical to the item number in the parts list.

White Paper Content Continued.....



T: 01784 419922

E: sales@cadline.co.uk

W: www.cadline.co.uk

CADline Ltd, Northumberland House, Drake Avenue,
Staines, Middlesex, TW18 2AP



T: 01293 774442

E: sales@midastechnology.co.uk

W: www.midastechnology.co.uk

Midas Technology Ltd, Gatwick House,
Peeks Brook Lane, Horley, RH6 9ST